

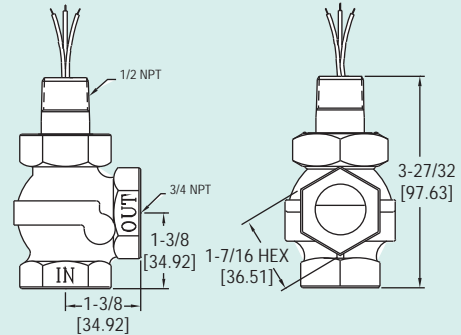


Series
G9

Globe Flow Switch

Adjustable Set Point, Water or Oil Service, 90° Flow Path

Flow



The Series G9 Globe Flow Switch provides accurate flow detection in water and oil with $\pm 1\%$ repeatability. A shuttle by-pass vane inside the housing is controlled externally using an ordinary flat blade screwdriver, allowing flow settings to be changed without disassembly. Each switch is constructed of non-corrosive materials and resists shock and vibration. The Series G9 is suitable for triggering alarms on interlocking shutdown circuitry when flow rate is incorrect and for protecting bearings, gears, and cooling systems.

MODELS

Model Number	Actuation Set Point Range GPM (LPM)
G9-21	0.75 - 4.0 (2.8 - 15.1)
G9-22	2.0 - 8.0 (7.6 - 30.3)
G9-23	7.0 - 14.0 (26.5 - 53.0)

SPECIFICATIONS

Service: Compatible liquids.

Wetted Materials: Housing: Bronze; Shuttle: Acetal; Spring: 316 SS; O-ring: Fluoroelastomer; Other: Ceramic.

Temperature Limits: -20 to 180°F (-29 to 82°C).

Pressure Limits: 400 psi (27 bar) @ 100°F (37.8°C).

Accuracy: $\pm 10\%$ of set point.

Repeatability: $\pm 1\%$ maximum deviation.

Switch Type: SPDT.

Electrical Rating: .17A @ 120 VAC, .08A @ 240 VAC, .13A @ 120 VDC, .06A @ 240 VDC.

Electrical Connections: 18 AWG, 24" (61 cm), polymeric lead wires.

Process Connection: 3/4" female NPT.

Mounting Orientation: Any position. Set points shown are based on vertical, lead wires up position.

Required Filtration: 150 microns or better.

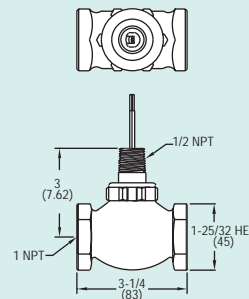
Weight: 1 lb 11 oz (0.76 kg).



Series
GVS

Globe Valve Switch

Adjustable Set Point, Rugged Bronze Construction, Straight Through Flow



The Series GVS offers accurate flow detection with 1% repeatability and external adjustability over a broad range of flow settings. The durable construction delivers long-life reliability in either water or oil. Generous flow paths keep pressure drop low. The GVS are ideal for detection of improper flow rates in high volume lubrication, cooling or process systems.

MODELS

Model Number	Actuation Set Point Range GPM (LPM)
GVS-111	1.0 - 6.0 (3.8 - 22.7)
GVS-112	5.0 - 15.0 (18.9 - 56.8)
GVS-113	2.0 - (7.6 - 30.3)

SPECIFICATIONS

Service: Compatible liquids.

Wetted Materials: Housing: Bronze; Shuttle: TFE; Bonnet: Bronze; Spring: 316SS.; Other: Viton®, Ceramic.

Temperature Limits: -20 to 200°F (-29 to 93°C).

Pressure Limits: 400 psig (27 bar) @ 100°F (38°C).

Accuracy: $\pm 10\%$.

Repeatability: 1% maximum deviation.

Switch Type: SPDT.

Electrical Rating: .17A @ 120 VAC, .08A @ 240 VAC, .13A @ 120 VDC, .06A @ 240 VDC.

Electrical Connections: No. 18 AWG, 24" (61 cm), polymeric lead wires.

Process Connections: 1" female NPT.

Mounting Orientation: Any position. Set points shown are based on horizontal, lead wires up positional.

Required Filtration: 150 microns or better.

Weight: 2 lb, 8 oz (1.16 kg).