



Series
860

Line Voltage Thermostats

Built-in Thermometer, Heavy Duty Construction



SPECIFICATIONS

Service: Compatible gases.

Temperature Limits: -10 to 140°F (-23 to 60°C).

Enclosure Rating: General purpose or explosion-proof rated NEMA 7 & 9, Class I, Groups C and D; Class II, Groups E, F, and G. CSA approval does not include Group C.

Switch Type: SPDT or SPST mercury switch. SPST models shown open on temperature increase. Replace "-2" with "-3" in the model number for close on increase.

Electrical Rating: SPDT: 4A @ 120 VAC/DC, 2A @ 240 VAC/DC. 1/8 HP @ 120/240 VAC single phase. SPST: 10A @ 120 VAC/DC, 5A @ 240 VAC/DC. 3/4 HP @ 120/240 VAC single phase, 1/4 HP @ 120/240 VDC.

Electrical Connections: General purpose: screw terminal, Explosion-proof: pigtail leads.

Conduit Connection: General purpose: none, Explosion-proof: 1/2" female NPT.

Mounting Orientation: Vertical and level. General purpose unit includes adapter plate for mounting into a standard wall switch box.

Set Point Adjustment: External knob. Can be removed to prevent tampering.

Weight: General purpose: 1.5 lb (0.7 kg), Explosion-proof: 4.5 lb (2.0 kg).

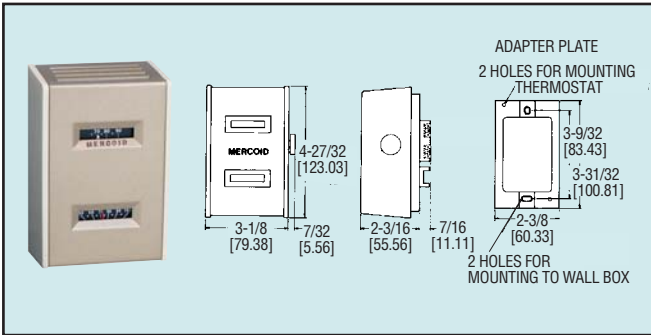
Deadband: Fixed. Range 65: approx. 4°F (2°C), Other ranges: approx. 2°F (1°C).

Options: SPST mercury switches with higher current ratings. Manual selector switch for off, auto, and on. Metal thermostat guard.

Set Point Scale: Indication in °F standard. °C optional.

Agency Approvals: UL and CSA.

Heavy duty and reliable, Model 860 Line Voltage thermostat is designed for direct control of motors operating HVAC equipment in industrial environments. Hermetically sealed mercury switch resists dust, dirt, grease and moisture. Cadmium plated steel and brass mechanism resists corrosion. Set point is easily adjustable via knurled knob located on the side of the unit. Knob may be removed to prevent tampering. Contacts rated up to 17A available on special order.



MODELS

Model No. SPDT	Model No. SPST	Operating Range, °F (°C)	Housing
860-153-61	860-2-61	25-60 (-4-15)	Gen. Purp.
860-153-62	860-2-62	38-70 (4-21)	Gen. Purp.
860-153-63	860-2-63	56-80 (14-27)	Gen. Purp.
860-153-64	860-2-64	65-90 (18-33)	Gen. Purp.
860-153-65	860-2-65	80-110 (27-43)	Gen. Purp.
860EH-153-61	860EH-2-61	25-60 (-4-15)	Expl. Pr.
860EH-153-62	860EH-2-62	38-70 (4-21)	Expl. Pr.
860EH-153-63	860EH-2-63	56-80 (14-27)	Expl. Pr.
860EH-153-64	860EH-2-64	65-90 (18-33)	Expl. Pr.
860EH-153-65	860EH-2-65	80-110 (27-43)	Expl. Pr.

Temperature



Series
DA-7035N

Temperature Switches

Bulb and Capillary, Inert Gas Fill

SPECIFICATIONS

Service: Compatible liquids or gases.

Wetted Materials: Bulb and connection: 304 SS.

Temperature Limit: Process: see model chart, Ambient: 180°F (82°C).

Pressure Limit: 300 psi (20.6 bar).

Enclosure Rating: General purpose. Optional weatherproof and explosion-proof.

Repeatability: ± 1% of full scale.

Switch Type: SPDT snap switch. Optional DPDT snap and a variety of mercury switches.

Electrical Rating: 15A @ 120/240/480 VAC. 1/8 HP @ 120 VAC single phase. 0.5A @ 120 VDC resistive, 0.25A @ 240 VDC resistive.

Electrical Connections: Screw terminal.

Conduit Connection: 7/8" (22.23 mm) hole for 1/2" (12.7 mm) conduit hub.

Process Connection: 3/4" male NPT. Other sizes available.

Mounting Orientation: Vertical and level.

Set Point Adjustment: External knobs for set point and reset point. **Weight:** 5 lb (2.3 kg).

Deadband: Adjustable from minimum in model chart to full range. Optional low fixed deadband.

Capillary: 6 ft (1.8 m) standard. Ranges 1N - 7N, and 10N: copper. Ranges 8N, 9N, 11N: 304 SS.

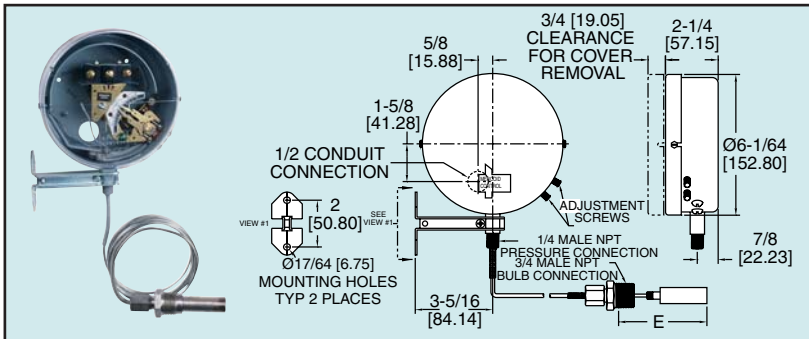
Set Point Scale: Indication in °F and °C.

Options: See switch type, see enclosures, fixed deadband, longer or shorter capillary, armored capillary, wells, two stage, 1/2" or 1" connection sizes, manual reset, and other bulb styles.

FEATURES

- Adjustable deadband
- Snap action switch standard
- Inert gas activated Bourdon tube
- No cross ambient temperature effects
- No bulb elevation correction required
- Visible dial calibrated in both °F and °C
- Visible on/off indication

Series DA-7035N temperature switches include the same time-proven switching mechanism used in our Series DA pressure switches. Bourdon tube assures high sensitivity and long life. Fully adjustable deadband makes units suitable for a wide range of control applications. Visible, calibrated dial and external adjustments make changing setpoints simple and fast.



MODELS

Model Number	Range °F (°C)	Maximum Temp., °F (°C)	Min. Deadband °F (°C)	Min. Insertion Depth "E" in. (mm)
DA-7035-153-1N	-60 to +30 (-50 to 0)	150 (65)	23 (13)	2 1/2 (73)
DA-7035-153-3N	0 to 100 (-18 to 40)	240 (115)	25 (14)	2 1/2 (73)
DA-7035-153-4N	50 to 150 (10 to 65)	250 (120)	25 (14)	2 1/2 (73)
DA-7035-153-5N	100 to 200 (40 to 95)	300 (150)	25 (14)	2 1/2 (73)
DA-7035-153-7N	140 to 300 (60 to 150)	500 (260)	41 (23)	2 1/2 (73)
DA-7035-153-8N	250 to 415 (120 to 215)	550 (290)	42 (23)	2 1/2 (73)
DA-7035-153-9N	350 to 550 (175 to 290)	600 (315)	50 (28)	4 1/2 (124)
DA-7035-153-10N	100 to 300 (40 to 150)	500 (260)	50 (28)	2 1/2 (73)
DA-7035-153-11N	100 to 500 (40 to 260)	600 (315)	100 (56)	2 1/2 (73)

Insertion depth can be increased through use of bulb supports or wells. Consult factory.