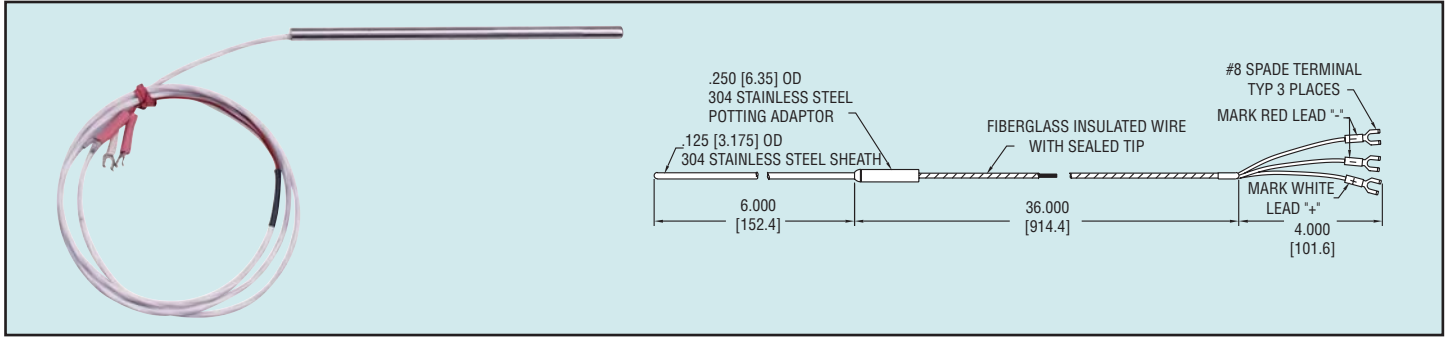




Series
RTD

Resistance Temperature Detector

High Temperature, Mineral Insulated, 316 SS Sheath



Precision RTD (Resistance Temperature Detector) offers excellent accuracy and stability over a wide temperature range. Industry standard 3-wire 100 ohm (DIN) probes are available in 6" (15 cm), 12" (30.5 cm), or 18" (46 cm) sheath lengths with 30" (76 cm) extension cable and spade lug terminals.

SPECIFICATIONS

Sensor Type: Wire wound, 100 ohm.

Temperature Range: -328 to 1202°F (-200 to 650°C).

Pressure Limits: 250 psig.

Probe Material: 316 SS.

Extension Length: 30" (76 cm).

Standard: DIN .00385 (Class B, 0.12%).

MODELS

Model Number	Length	Diameter
RTD-686	6" (15 cm)	1/8"
RTD-6812	12" (30.5 cm)	1/8"
RTD-6818	18" (46 cm)	1/8"
RTD-646	6" (15 cm)	1/4"
RTD-6412	12" (30.5 cm)	1/4"
RTD-6418	18" (46 cm)	1/4"

APPLICATIONS

Typical applications are: air ducts, bearing temperature, oil temperature indicator, soldering equipment, ovens, environmental test chambers, pharmaceutical mfg., food processing, plastic molding, petroleum & chemical processing, electric generating plants, etc.

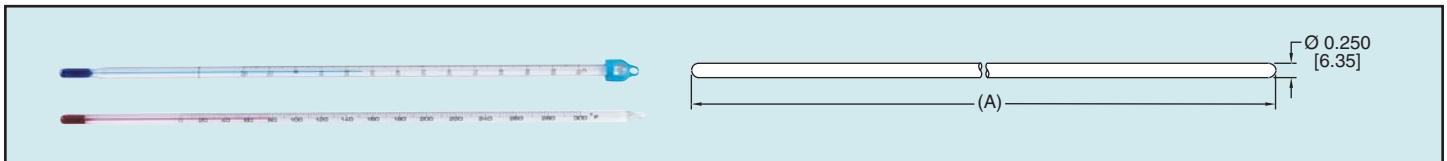
Temperature



Series
GT

Spirit-Filled Glass Thermometers

Partial Immersion, °F and °C Ranges, Individually Serialized



Environmentally safe, Series GT Spirit-Filled Glass Thermometers offer accurate and reliable temperature measurement without worry of mercury contamination or disposal. Organically filled with blue or red mineral spirits, these thermometers are designed for applications requiring only partial immersion. Individually serialized thermometers are calibrated over the entire scale and accurate to within NIST tolerances.

SPECIFICATIONS

Accuracy: ±1 scale division below 221°F (105°C), ±1.5 scale divisions above 221°F (105°C) and ±2 scale divisions above 392°F (200°C).

Fill Solution: Blue fill contains Isoamyl Benzoate; Red fill may contain Kerosene, Toluene, or Pentane with aniline dye.

Thermometer Length (A): 12" (305 mm) all models except for GT500F and GT260C which are 16" (405 mm).

Thermometer Diameter: 0.250" (6.35 mm).

Immersion Length: 3" (76 mm).

Weight: 0.1 lb (0.05 kg).

MODELS

Model Number	Range	Divisions	Length (mm)	Immersion (mm)
GT120F	-30 to 120°F	1°F	12" (305)	3" (76)
GT230F	0 to 230°F	2°F	12" (305)	3" (76)
GT300F	0 to 300°F	2°F	12" (305)	3" (76)
GT500F	20 to 500°F	2°F	16" (305)	3" (76)
GT110C	-20 to 110°C	1°C	12" (305)	3" (76)
GT150C	-20 to 150°C	1°C	12" (305)	3" (76)
GT200C	-10 to 200°C	1°C	12" (305)	3" (76)
GT260C	-10 to 260°C	1°C	16" (305)	3" (76)
GT5050C*	-50 to 50°C	1°C	12" (305)	3" (76)
GT10050C*	-100 to 50°C	1°C	12" (305)	3" (76)

*Uses red fill solution.

APPLICATIONS

Manufacturing processes of petrochemicals, chemicals, food and beverage products, waste water treatment, biotechnology, and pharmaceutical industries. Use in ovens, water baths, incubators, and refrigeration.