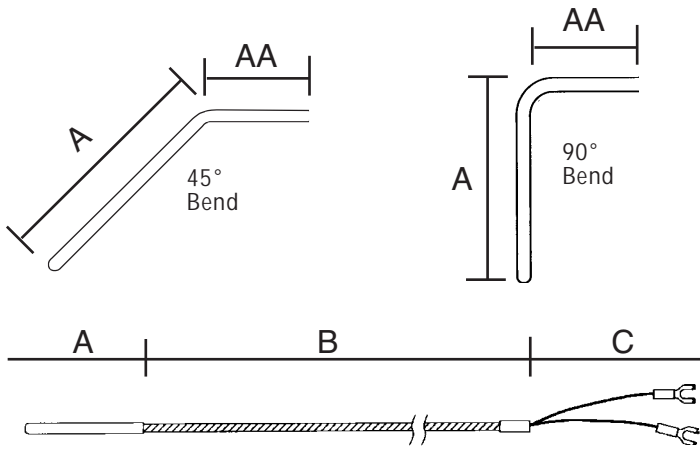




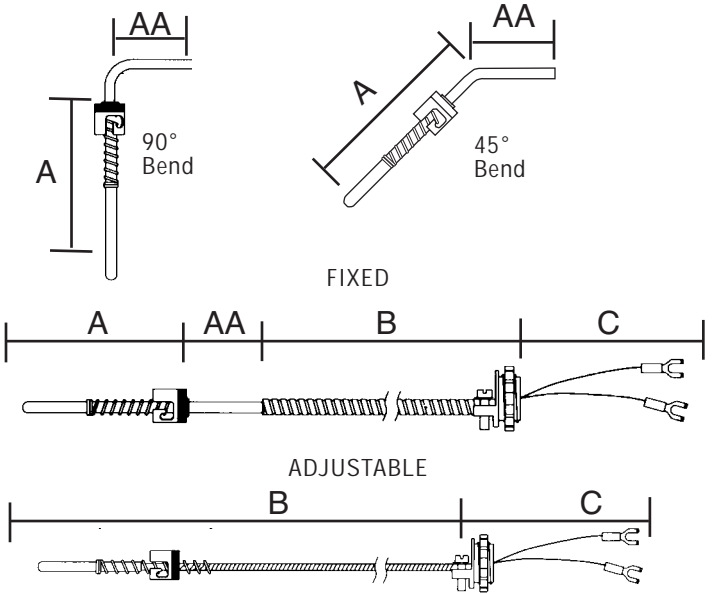
# General Purpose and Bayonet Type Thermocouples & RTD's

General Purpose Type Thermocouples and RTD's have a plain sheath with no permanently attached fittings. They are usually mounted with the use of a compression fitting which is supplied separately. Tip temperatures can be as high as 480°C (900°F) for fiberglass insulated wire, 250°C (500°F) for teflon insulated wire. Models specified with a head cover include a 1/2" hex nipple. For higher temperatures see the section on Mineral Insulated Probes.

## General Purpose



## Bayonet



Temperature

## Model Coding For General Purpose & Bayonet Styles

Fill in the appropriate numbers or letters to specify the probe of your choice. Fill in all boxes. If an item or dimension does not apply, fill those boxes with zeros '0'.

A
AA
B
C  
 in 1/10 inch    in 1/10 inch    in inches    in inches

**5**     -     -     -     -     -

<p><b>SENSOR TYPE</b></p> <ul style="list-style-type: none"> <li>J (T/C)</li> <li>K (T/C)</li> <li>E (T/C)</li> <li>T (T/C)</li> <li>6 (RTD DIN)</li> <li>4 (RTD NIST)</li> <li>Z (RTD DIN 1K)</li> <li>5 (RTD DIN 2-Wire)</li> <li>7 (RTD DIN 1K 2-Wire)</li> </ul> <p><b>HARDWARE TYPE</b></p> <ul style="list-style-type: none"> <li>0 - None</li> <li>1 - Plain Sheath</li> <li>4 - Type 1 with FEP*</li> <li>6 - Bayonet Mount - Adjustable, SS</li> <li>7 - Bayonet Mount - Fixed Length, SS</li> </ul>	<p><b>EXTENSION TYPE</b></p> <ul style="list-style-type: none"> <li>0 - No extension</li> <li>1 - Fiberglass Insulation</li> <li>3 - Stainless Steel Overbraid</li> <li>4 - FEP Insulation</li> <li>5 - Stainless Steel Flex Hose</li> <li>6 - FEP over SS Flex Hose</li> </ul>	<p><b>SENSOR TERMINALS</b></p> <ul style="list-style-type: none"> <li>0 - Stripped Ends</li> <li>1 - Lugs</li> <li>2 - Lugs with BX</li> <li>3 - Standard Plug</li> <li>4 - Standard Jack</li> <li>5 - Open Terminals</li> <li>6 - Mini Plug</li> <li>7 - Mini Jack</li> <li>8 - Snap Cover Head, Al</li> <li>9 - Fastabs</li> <li>A - Fastabs with BX</li> <li>B - Snap Cover Head, Plastic</li> <li>E - Screw Cover Head, Al w/ 3/4 NPT Conduit</li> <li>F - Screw Cover Head, Plastic w/ 3/4 NPT Conduit</li> <li>G - SS Weather Proof Head w/ 1/2 NPT Conduit</li> </ul>	<p><b>ELEMENTS</b></p> <ul style="list-style-type: none"> <li>1 - Single</li> <li>2 - Dual</li> </ul>	<p><b>JUNCTION TYPE</b></p> <ul style="list-style-type: none"> <li>1 - Grounded</li> <li>2 - Ungrounded</li> <li>3 - Exposed Tip</li> </ul>	<p><b>SENSOR O.D.</b></p> <ul style="list-style-type: none"> <li>0 - None</li> <li>2 - 1/8"</li> <li>3 - 3/16"</li> <li>4 - 1/4"</li> </ul>	<p><b>BEND</b></p> <ul style="list-style-type: none"> <li>1 - Straight</li> <li>2 - 45°</li> <li>3 - 90°</li> </ul>
---	---	--	---	---	---	---

\*Not available for RTD's with Bayonet Fittings.