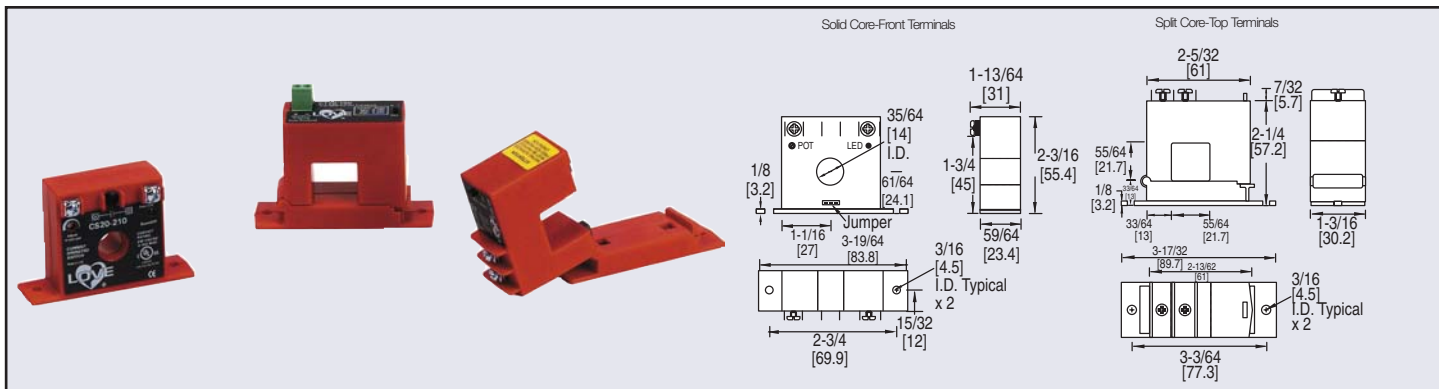




Series  
CS

# Current Switches

Universal Output, Solid or Split Core Case



The CS Series Current Switches combine a current transformer, signal conditioner and limit alarm into a single package. The CS series has an extended current input range, universal solid-state outputs and a wide frequency response. Available in a split core or a solid core case. Switches feature LED indication for local display or switch status.

### MODELS

Model Number	Setpoint Range	Core	Voltage
CS20-100	Adj. 1.75-150A	Split	240 VAC/DC
CS20-220	Adj. 1-150 A	Solid	240 VAC/DC
CS40-220	Selectable 1-6, 6-40, & 40-175A	Solid	240 VAC
CS50-100	Selectable 1-6, 6-40, & 40-175A	Split	240 VDC

### SPECIFICATIONS

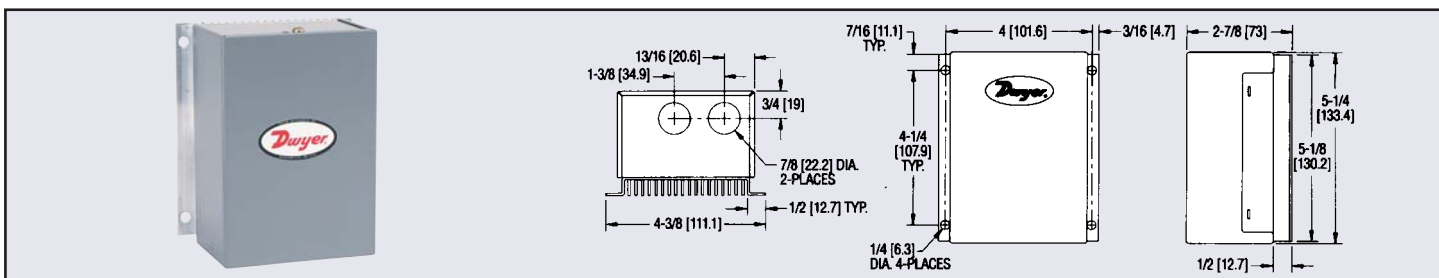
- Output:** Isolated, normally open.
- Power Requirements:** None, self powered.
- Temperature Limits:** -58 to 149°F (-50 to 65°C).
- Hysteresis:** 5% of output.
- Response Time:** CS20: 0.120 sec; CS40/50: 0.04 to .120 sec.
- Isolation Voltage:** 1270 VAC.
- Frequency:** 6-100 Hz.
- Enclosure Rating:** UL, V-O flammability rated, ABS plastic housing.
- Agency Approvals:** CE.



Model  
FC-1000

# Electronic Fan Speed Control

Low Cost, 0-10 VDC Input, Selectable Hard Start



The Model FC-1000 Electronic Fan Speed Control provides precise speed modulation of small AC motors. Popular 0-10 VDC input works with most process controllers, eliminating the need for more expensive dampers, damper actuators and linkages while improving overall energy efficiency of the system. This inexpensive unit enables variable control of ventilation fans, condenser fans and interfacing with VAV box controllers.

Model FC-1000 Electronic Fan Speed Control.....

### SPECIFICATIONS

- Line Voltage Range:** 120-277 VAC, 60 Hz.
- Input Signal Voltage:** 0-10 VDC.
- Low Voltage Input:** 24 VAC, Class 2.
- Input Signal Impedance:** 10K ohms.
- Full Load Amp Rating:** 9.8 @120 VAC, 9.3 @ 208 VAC, 8.0 @ 240 VAC 6.9 @ 277 VAC.
- Locked Rotor Amp Rating:** 24.0.
- Temperature Limits:** -40 to 131°F (-40 to 55°C).
- Electrical Connections:** Line Voltage: 10-32 screw terminals. Signal and low voltage input: 1/4" quick connects.
- Transient Protection:** 320 V surge suppression. Exceeds IEEE C62.41 standards.
- Housing Materials:** Cold rolled steel.
- Enclosure Rating:** NEMA 1.
- Mounting:** Vertical only; four holes provided for #10 screws.
- Weight:** 1 lb, 11 oz (.77 kg).
- Agency Approval:** UR.

Test  
Equipment