

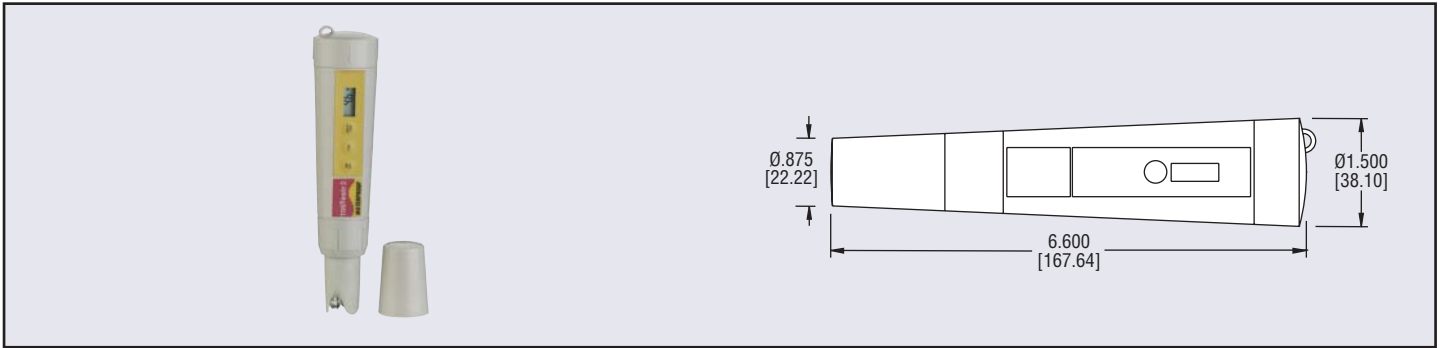


Series
TDS

Total Dissolved Solids (TDS) Tester



±1% FS Accuracy, Automatic Temperature Compensation, Replaceable Sensor



Take precise measurements of total dissolved solids with Series TDS. Lightweight and compact, these testers are ideal for field testing of TDS concentrations. Large easy-to-read LCD displays the full scale readout in ppm (parts per million)—no additional calculations are required to obtain actual test values. Durable 316 SS Electrodes provide excellent chemical compatibility. Automatic temperature compensation from 32 to 122°F (0 to 50°C) ensures reliable, repeatable results. Additional features include flip-up battery compartment, sturdy pocket clip, and a splash-resistant membrane keypad.

Series TDS2 TDS Tester, 0-1990 ppm

Series TDS3 TDS Tester, 0-10.00 ppt

TDS15 Replacement Sensor

SPECIFICATIONS

Wetted Materials: 316 SS and glass reinforced thermoplastic polyester.

Range: TDS2: 0 to 1990 ppm; TDS3: 0 to 10.00 ppt.

Accuracy: ±1% FS.

Display: 3-1/2-digit LCD, 5/16" (8 mm) high.

Resolution: TDS2: 10 ppm; TDS3: 0.10 ppt.

Ambient Operating

Temperature: 32 to 122°F (0 to 50°C).

Compensated Temperature

Range: 32 to 122°F (0 to 50°C).

Power Requirements: Four 1.5V alkaline batteries (included).

Battery Life: 140 hrs. continuous.

Calibration: 1-point push button calibration.

Calibration Standard Range: TDS2: 300 to 1990 ppm; TDS3: 3 to 10.00 ppt.

Weight: 4.5 oz (125 g).

Agency Approvals: CE.

APPLICATIONS

Testing pollution controls, water treatment systems, testing for water hardness, hydroponics, and fertilizer/chemical concentrations.

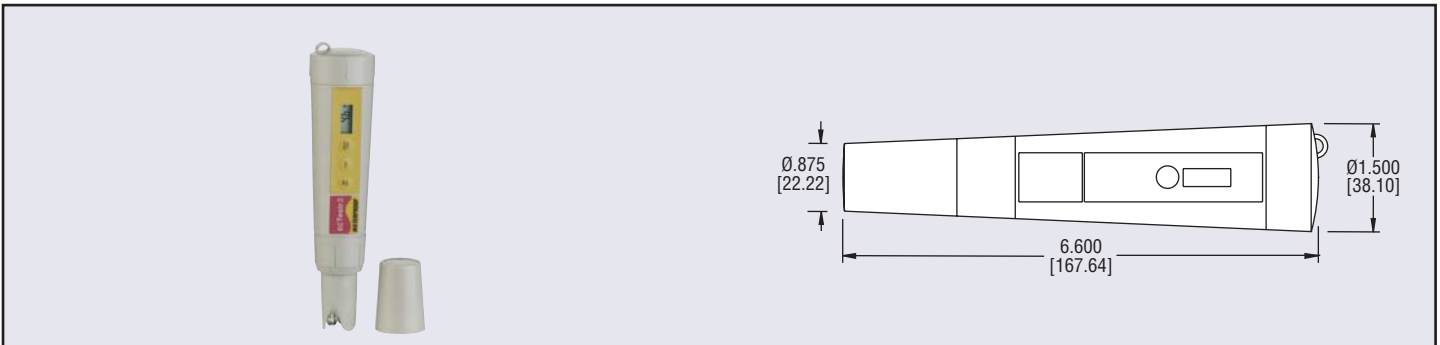


Series
EC

Conductivity Tester



Waterproof, ±1% FS Accuracy, Large Easy to Read Display



Monitor conductivity levels quickly and easily with Series EC Conductivity Testers. These pocket-sized testers are ideal for conductivity measurements in the lab, industrial plant or out in the field. Series EC measures conductivity from 0 to 1990 micromhos (µS) or 0 to 19.90 milliohms (mS). The reading is displayed on a large 3-1/2-digit LCD. Splash-proof membrane keypad prevents water damage. Glass reinforced thermoplastic polyester housing and 316 SS electrodes withstand most chemicals. Since conductivity changes with temperature, units feature automatic temperature compensation from 32 to 122°F (0 to 50°C) to ensure accurate results.

Series EC1 Conductivity Tester, 0-1990 µS

Series EC2 Conductivity Tester, 0-19.90 mS

TDS15 Replacement Sensor

SPECIFICATIONS

Wetted Materials: 316 SS and glass reinforced thermoplastic polyester.

Range: EC1: 0 to 1990 µS; EC2: 0 to 19.90 mS.

Accuracy: ±1% FS.

Display: 3-1/2-digit LCD, 5/16" (8 mm) high.

Resolution: EC1: 10 µS; EC2: 0.10 mS.

Ambient Operating Limits: 32 to 122°F (0 to 50°C).

Compensated Temperature

Range: 32 to 122°F (0 to 50°C).

Power Requirements: Four 1.5V alkaline batteries (included).

Battery Life: 140 hrs. continuous.

Calibration: 1-point push button calibration.

Calibration Standard Range: EC1: 300 to 1990 µS, EC2: 3 to 19.90 mS.

Weight: 4.5 oz (125 g).

Agency Approvals: CE.

APPLICATIONS

Monitor conductivity levels quickly and accurately to determine water hardness, check pollution control, recirculating systems, and waste water.