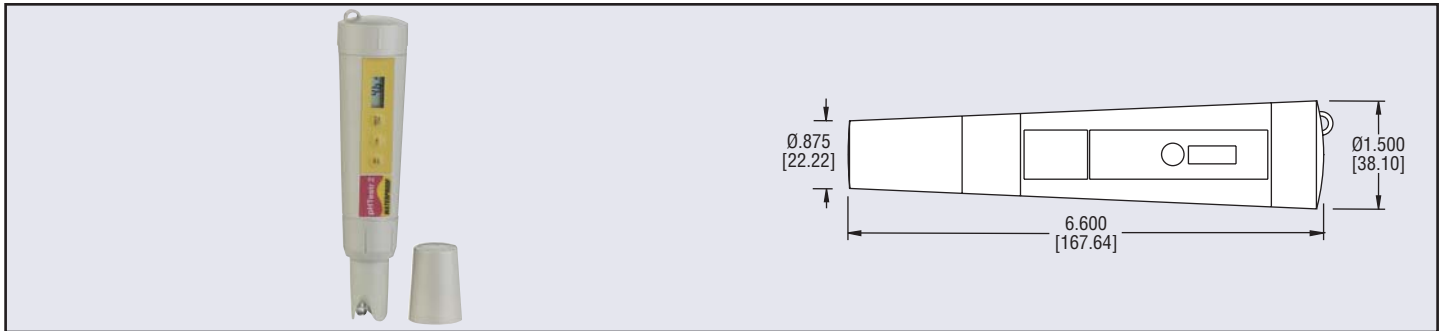




Model  
WPH2

# Pocket Sized pH Tester

±0.1 pH Accuracy, Automatic Temperature Compensation, 3-pt Calibration



**Take fast, stable and repeatable readings** with the Model WPH2 Pocket Sized pH Tester. This microprocessor based instrument consistently delivers readings within ±0.1 pH. One-, two- or three-point push button calibration at pH 4.0, 7.0 and 10.0 let you calibrate the tester to a value near your sample to provide application versatility and better accuracy. Temperature compensation automatically corrects the reading for a more accurate measurement. Hold feature permits you to hold a reading until it can be logged. Tester turns off after 8-1/2 minutes with the Auto-Off feature. Low battery, over range and incorrect calibration error message are displayed on the large easy-to-read LCD.

**Model WPH2** Pocket Sized pH Tester

## ACCESSORIES

**WPH25** Replacement Electrode for WPH2

## SPECIFICATIONS

**Range:** -1.0 to 15.00 pH.

**Accuracy:** ±0.1 pH.

**Display:** 2-1/2-digit, 5/16" (8 mm) high LCD.

**Resolution:** 0.1 pH.

**Ambient Operating**

**Temperature:** 32 to 122°F (0 to 50°C).

**Compensated Temperature**

**Range:** 32 to 122°F (0 to 50°C).

**Power Requirements:** Three 1.5V alkaline batteries (included).

**Battery Life:** 24 hrs continuous use.

**Calibration:** 1, 2 or 3-point @ 4.0, 7.0, or 10.0 pH.

**Reference Type:** Ag/AgCl.

**Housing:** Valox®.

**Weight:** 4.5 oz (125 g).

**Agency Approvals:** CE.

## APPLICATIONS

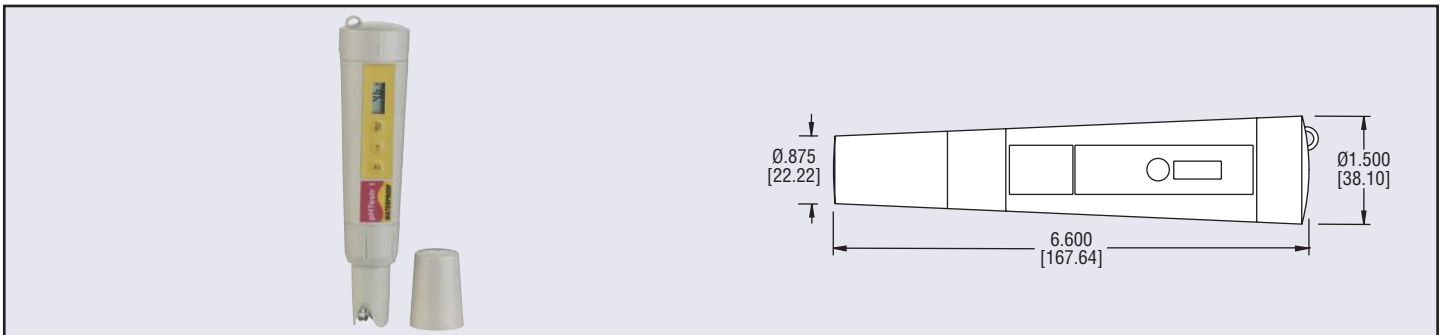
Quick and easy pH checks in Water Conditioning Plants, Cooling Towers, Plating and Finishing Operations, Wastewater Treatment Plants and Food Processing Plants.



Model  
WPH1

# Waterproof Pocket Size pH Tester

Push Button Calibration, 0.1 pH Resolution, 0.2 pH Accuracy



**Accurately** measure the alkaline or acidity levels of your solution with the Model WPH Waterproof pH Tester. With a push of a single button, calibrate Model WPH to meet your buffer standard of 4.0, 7.0 or 10.0 pH. Waterproof housing provides IP67 protection and will float if accidentally dropped. Built-in loop on battery compartment is ideal for attaching lanyard. Double O-ring sealed, replaceable sensor helps prevent contamination and extends the life of the tester. Standard features include automatic shut-off after 8-1/2 minutes of inactivity, display hold, low battery, over range and incorrect calibration indication.

**Model WPH1** Waterproof pH Tester

## ACCESSORIES

**Model WPH15** Replacement Electrode for WPH1

## SPECIFICATIONS

**Range:** -1.0 to 15.00 pH.

**Accuracy:** ±0.2 pH.

**Display:** 2-1/2-digit, 5/16" (8 mm) high LCD.

**Resolution:** 0.1 pH.

**Ambient Operating**

**Temperature:** 32 to 122°F (0 to 50°C).

**Power Requirements:** Three 1.5V alkaline batteries (included).

**Battery Life:** 24 hrs continuous use.

**Calibration:** Single-point @ 4.0, 7.0 or 10.0 pH.

**Reference Type:** Ag/AgCl.

**Housing Material:** Valox®.

**Weight:** 4.5 oz (125 g).

**Agency Approvals:** CE.

## APPLICATIONS

Water quality testing in pools, spas, aquariums, hydroponics, ecology studies, water and wastewater treatment, boiler/steam generators, printing and chemical industries, sanitation plants and labs.