



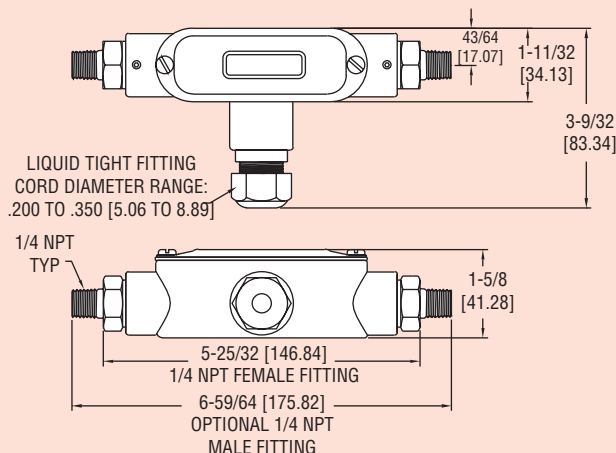
Series  
629

# Wet/Wet Differential Pressure Transmitter

0.5% Accuracy, NEMA 4X Enclosure



Series 629 shown with optional cable gland.



The Dwyer **Series 629 Differential Pressure Transmitter** monitors differential pressure of air and compatible gases and liquids with 0.5% accuracy. The design employs dual pressure sensors converting pressure changes into a standard 4-20 mA output signal for two wire circuits. Small internal volume and minimum moving parts result in exceptional response and reliability. Terminal block, zero and span adjustments are easily accessed under the top cover. The Series 629 Differential Pressure Transmitter is designed to meet NEMA-4X (IP66) construction.

## APPLICATIONS

Monitor Differential Pressures Across:

- Flow Elements
- Heat exchangers
- Filters
- Pumps
- Coils

## MODELS

Model Number	Pressure Limits		
	Range (psid)	Working* Pressure (psid)	Over Pressure (psi)
629-02-CH-P2-E5-S1	10	20	100
629-03-CH-P2-E5-S1	25	50	250
629-04-CH-P2-E5-S1	50	100	250
629-05-CH-P2-E5-S1	100	200	500

\* Pressures exceeding the working pressure limit may cause a calibration shift of up to  $\pm 3\%$  of full scale.

## SPECIFICATIONS

**Service:** Compatible gases & liquids.

**Wetted Materials:** Types 316, 316L SS.

**Accuracy:**  $\pm 0.5\%$  F.S. (includes linearity, hysteresis & repeatability).

**Temperature Limits:** 0 to 200°F (-18 to 93°C).

**Compensated Temperature Limits:** 0 to 175°F (-18 to 79°C).

**Pressure Limits:** See chart.

**Thermal Effect:** 0.02%/°F (0.036%/°C) includes zero & span.

**Power Requirements:** 13-30 VDC (2-wire).

**Output Signal:** 4 to 20 mA. Optional 0-5, 1-5, 0-10, 1-6 or 2-10 VDC.

**Response Time:** 50 msec.

**Loop Resistance:** 0-1300 ohms maximum for current output. For voltage outputs, minimum load resistance: 2000 ohms.

**Electrical Connections:** Terminal block; 1/2" female NPT conduit.

**Process Connections:** 1/4" female NPT.

**Enclosure Rating:** Designed to meet NEMA 4X (IP66).

**Mounting Orientation:** Not position sensitive.

**Weight:** 10.1 oz (286 g).

**Agency Approvals:** CE.

## OPTIONS

-3V, 3 Way Valve Package for Chillers

-LED, 4.5 Digit LED Display



## ACCESSORIES

**A-228,** Stainless steel flex hose, 12" (30.48 cm) long, 1/8" male NPT connections.

**A-229,** Stainless steel flex hose, 18" (45.72 cm) long, 1/8" male NPT connections.

**A-332,** Brass adapter, 1/8" female NPT to 1/4" male NPT.