



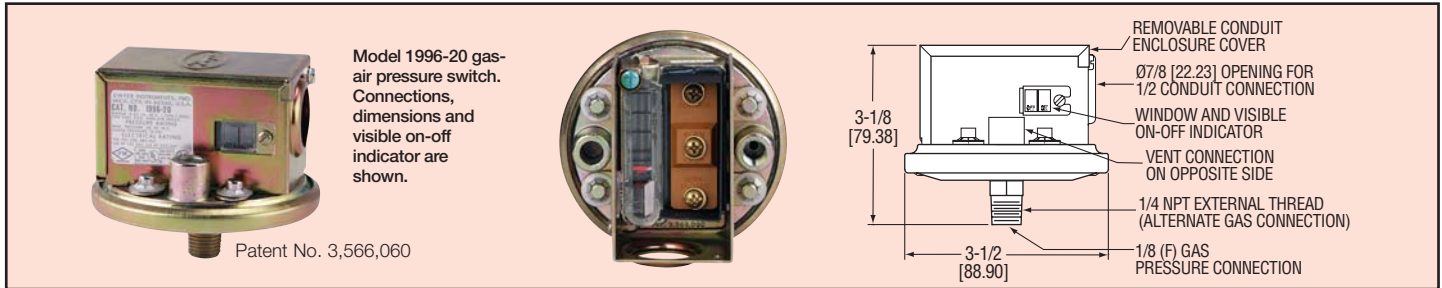
Series
1996

Gas Pressure Switches

Compact, Low Cost, 4" - 20" w.c. Range



Pressure



Model 1996-20 gas-air pressure switch. Connections, dimensions and visible on-off indicator are shown.

Patent No. 3,566,060

Reliable and convenient, the 1996-5 and the 1996-20 Gas Pressure Switches serve as a compact, low cost switch for gas fired furnaces and equipment. Pressure ranges for both models are ideal for high or low gas pressure interlock. Visible set point and on-off indicators add convenience in servicing. Use either NO or NC contacts on SPDT switch. Bottom connection has both 1/8" female and 1/4" male threads for pipe nipple or coupling. Top connection vents diaphragm chamber to outside or to furnace combustion chamber. Mount switch with diaphragm in a horizontal position and gas pressure connection at bottom. Used with natural, manufactured or LP gas. Also see Model 1950G.

SPECIFICATIONS

Service: Air, natural & manufactured gas, LP gas.
Wetted Materials: Consult factory.
Temperature Limits: 32 to 110°F (0 to 43.3°C). -30 to 110°F (-34.4 to 43.3°C) for dry gas or dry air.
Pressure Limits: 45" w.c. (11.2 kPa) continuous; 10 psig (68.95 kPa) surge.
Switch Type: Single-pole double-throw (SPDT).
Electrical Rating: 15A @ 120-480 VAC, 60 Hz. Resistive 1/8 H.P. @ 125 VAC, 1/4 H.P. @ 250 VAC 60 Hz.

Electrical Connections: 3 screw type, common, normally open, normally closed.
Process Connections: 1/8" female NPT or 1/4" male NPT.
Vent Connection: 1/8" female NPT.
Mounting Orientation: Diaphragm in horizontal position. Consult factory for other position orientations.
Set Point Adjustment: Screw type with visible indicator, inside conduit enclosure.
Weight: 1 lb 2.3 oz (349 g).
Agency Approvals: CE, UL, CSA, FM.

MODELS

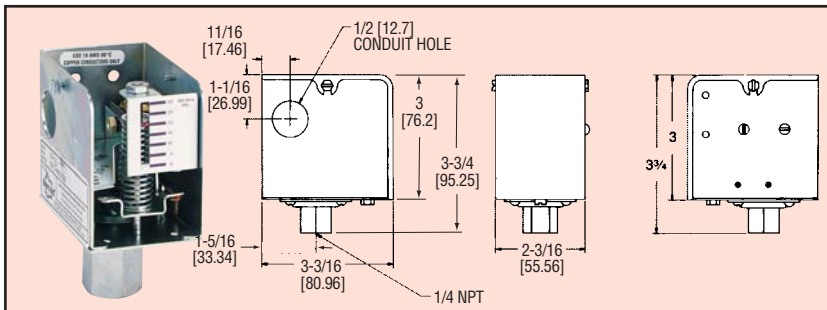
Model	Range
1996-5	1.4" - 5.5" w.c.
1996-20	4" - 20" w.c.



Series
CS & CD

Low Cost Diaphragm Pressure Switches

Visible Set Points, Fixed or Adjustable Deadband



Series CS and CD combine advanced design and precision construction with small size and low price. Unit is ideal for instrument panels, small compressors and general industrial applications. Visible set point and easy to wire SPDT snap switch reduce installation time. Operates in any position and is vibration resistant.

SPECIFICATIONS

Wetted Materials: Nylon reinforced Buna-N and steel.
Temperature Limits: -30 to 150°F (-35 to 66°C).
Pressure Limit: 30 psig (2.1 bar) for ranges 1, 3, and 10. 50 psig (3.5 bar) for range 30. 175 psig (12.1 bar) for range 150.
Enclosure Rating: General purpose.
Switch Type: SPDT snap switch.
Electrical Rating: 15A @ 120 VAC, 8A @ 240 VAC.
Electrical Connections: Screw terminal.
Conduit Connection: 1/2" hole for conduit hub.
Process Connection: 1/4" female NPT.
Mounting Orientation: Any position.
Set Point Adjustment: Internal screw.
Weight: .5 lb (0.23 kg).
Deadband: See model chart.
Agency Approvals: CE, UL.

MODELS

Model No.	Adjustable Operating Range	Deadband	Deadband Value
CS-1	1-30" Hg. Vac. (25.4-762 mm Hg)	Fixed	1.5" Hg. (38 mm Hg)
CS-3	1-100" w.c. (.25-24.9 kPa)	Fixed	7" w.c. (1.74 kPa)
CS-10	1-10 psig (.07-.69 bar)	Fixed	0.4 psig (0.03 bar)
CS-30	1-30 psig (.07-2.1 bar)	Fixed	1.0 psig (0.07 bar)
CS-150	10-150 psig (.69-10.3 bar)	Fixed	5 psig (0.35 bar)
CD-10	1-10 psig (.07-.69 bar)	Adjustable	Min: 1.5 psig (.1 bar), Max: 11.5 psig (.79 bar)
CD-30	1-30 psig (.07-2.1 bar)	Adjustable	Min: 2 psig (.14 bar), Max: 12 psig (.83 bar)
CD-150	10-150 psig (.69-10.3 bar)	Adjustable	Min: 14 psig (.97 bar), Max: 24 psig (1.7 bar)