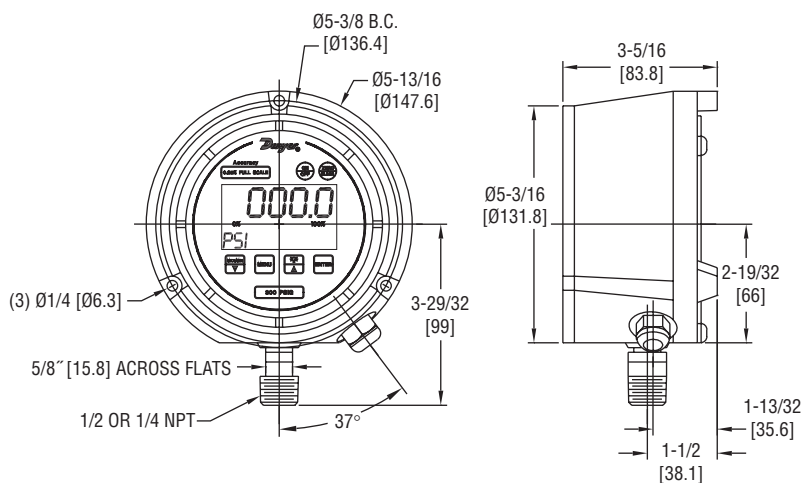




Series DSGT Digital Indicating Transmitter

Specifications - Installation and Operating Instructions



The Dwyer Series DSGT Digital Indicating Transmitter is a versatile multi-function process gage that features an excellent 0.25% F.S. accuracy. This all-in-one digital gage package is designed to reduce installation costs, instrument cost, and save space where an application requires a gage, transmitter, and switches. The gage comes standard with a loop-powered 4-20 mA transmitter output and is offered with one or two optional SPDT switches.

The DSGT gage is housed in a durable fiberglass reinforced thermoplastic case that is designed to meet NEMA 4 (IP65) requirements. The gage features a menu-driven display for easy customization. User selectable features include 12 engineering units of measure, password protected calibration and disable functions, as well as an adjustable bar graph and update/dampening rates.

INSTALLATION

When installing the gage, use a 5/8" wrench on the wrench flat of the gage to tighten the gage to the process. DO NOT tighten the connection by applying torque to the gage body which could cause permanent damage and render the gage inoperable. It is good practice to apply Teflon® tape or pipe sealant to the gage threads.

Teflon® is a registered trademark of E.I. du Pont de Nemours and Company

SPECIFICATIONS

Gage Specifications

Service: Compatible, non-combustible liquids & gases.

Wetted Materials: 17-4 SS sensor, 316 SS socket.

Housing Materials: Fiberglass reinforced thermoplastic case.

Accuracy: 0.25% F.S. (Includes linearity, hysteresis, and repeatability).

Pressure Limit: 2 x F.S. range.

Process Connection: 1/2" male NPT.

Enclosure Rating: NEMA 4 (IP65).

Display: 5 Digit (0.88" high), 50,000 counts.

Transmitter Specifications

Accuracy: 0.25% F.S. (Includes linearity, hysteresis, and repeatability).

Temperature Limits: 14 to 140°F (-10 to 60°C).

Thermal Effects: 0.04% F.S./°F.

Power Supply: 12-36 VDC (Loop Powered).

Output Signal: 4-20 mA.

Zero and Span: Menu Configurable.

Response Time: 100 ms.

Electrical Connections: 3 ft flying leads.

Loop Resistance: DC; 0-1090 ohms maximum.

Switch Specifications

Switch Type: 1 SPDT (-C1S option); 2 SPDT (-C2S option).

Repeatability: 0.25% F.S.

Electrical Rating: 1A @ 24 VDC or 0.5A @ 125 VAC.

Electrical Connections: 3 ft flying leads (See Wiring for details).

Power Requirements: 12-36 VDC (Separate line power).

Set Point Adjustments: Adjustable through menu selections.

DSGT KEYPAD OPERATION



This button turns the gage on and off. When pressing the ON/OFF key while in the off position, the gage display will first indicate the software version followed by the full-scale pressure range. The gage will then display the indicated pressure and be ready for use.



After power up and before the pressure is applied, this button will re-zero the gage from any initial zero shift. If the zero shift is greater than programmed zero allowance, the gage display will show OFFSET (blinking) for 1 second and then return to the measure mode. The gage will auto advance once zeroed.

In the MAX/MIN mode the ZERO/CLEAR key will erase the stored minimum and maximum pressure values. To clear these values press the ZERO/CLEAR key while the minimum or maximum value is being displayed.



The MAX/MIN button allows review of the minimum and maximum pressure values that have been measured since unit start-up or since the values were last cleared. From the measurement mode, press the MAX/MIN key to:

- 1.) Indicate the maximum pressure
- 2.) Indicate the minimum pressure
- 3.) Exit Max/Min mode and return the gage to measurement mode.

The ▼ (down arrow key) is used in the Menu mode. See the following MENU key section.



The MENU key allows for customization of the gage. Pressing the MENU key allows cycling through the main MENU items: UNITS, CONFIG, GRAPH, OFF, and UPDAT & DAMP. Any item changed in the menu is saved as the new default setting(s) in the event of a power loss.

The ▲ (up arrow key) and ▼ (down arrow key) allow for scrolling through the MENU options to increase or decrease numeric values as required. While in the menu mode, the gage will automatically advance to the measurement mode once the selected MENU item has been set.

This key manually turns the backlight on or off. There are five options available which include NEVER, 10 sec., 30 sec., 1 min., and 5 min. With the NEVER option selected the backlight will remain on while the gage is on or until this key is pushed again. The 10 sec., 30 sec., 1 min., and 5 min. options allow the backlight to automatically turn-off after the selected period of time.



To use the BACKLITE option:

- Step 1: Press the MENU key.
- Step 2: Press the ▲ (up arrow key) or ▼ (down arrow key) until the word LITE appears.
- Step 3: Press ENTER.
- Step 4: Press the ▲ (up arrow key) or ▼ (down arrow key) to select the BACKLITE option.
- Step 5: Press the ENTER key to finalize your choice of LITE options.



This key allows for selecting gage features in the menu and sub-menus as well as finalizing the selections made. Use of the ENTER key is described throughout this installation and operation manual.

ELECTRICAL CONNECTIONS

CAUTION: DO NOT EXCEED SPECIFIED SUPPLY VOLTAGE RATINGS. PERMANENT DAMAGE NOT COVERED BY WARRANTY WILL RESULT. THIS UNIT IS NOT DESIGNED FOR 120 OR 240 VOLT AC LINE OPERATION.

Electrical connections to the Series DSGT Indicating Transmitter are made with the 3 foot flying lead cable. Refer to Figure A for wiring the power supply, transmitter output, receiver, and optional switches.

Wire Length – The maximum length of wire connecting the transmitter output and receiver is a function of wire size and receiver resistance to the total loop resistance. Wiring should not contribute to more than 10% of receiver resistance to the total loop resistance. For extremely long runs (over 1000 feet), choose receivers with higher resistance's to minimize the size and cost of the connecting leads. When the wiring length is less than 100 feet, the lead wires used can be as small as 22 AWG.

2-Wire Operation – An external power supply delivering 12-36 VDC with a minimum current capability of 38 mA DC (per transmitter) must be used to power the control loop. The range of the appropriate receiver load resistance (RL) for the DC power supply voltage available is expressed by the formula and graph in Figure B. Shielded two-wire cable is recommended for the control loop wiring. If grounding is required, use the negative side of the control loop between the receiver and power supply.

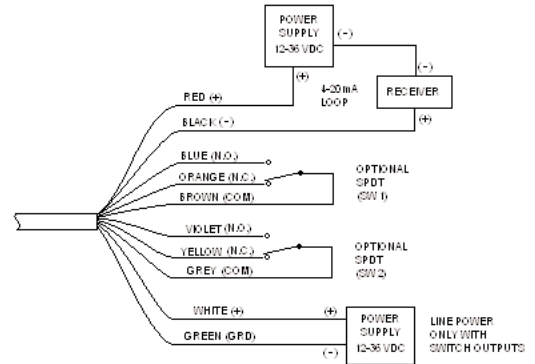


Figure A

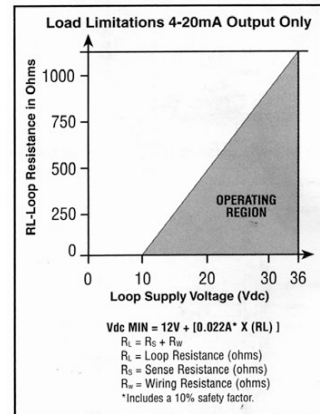


Figure B

MENU OPTIONS

UNIT: 12 engineering units are available: psi, mmHg, mBar, inHg, ftH₂O, mPa, kPa, kg/cm², bar, and inH₂O with three temperature options: 20°C, 60°C, and 4°C.

Step 1: Press the MENU key until the word UNITS appears.

Step 2: Press ENTER.

Step 3: Press the ▲ (up arrow key) or ▼ (down arrow key) to select the required engineering unit.

Step 4: Press ENTER to finalize the UNIT selection.

Note: For the inH₂O temperature options, use the ▲ (up arrow key) and ▼ (down arrow key) to select the desired temperature, then press ENTER to finalize the UNIT selection.

CONFIG: This option allows access to additional MENU options which include:

ENTPW (or enter password) appears as a sub-menu in the CONFIG mode if a user password has been set.

RECAL (or recalibrate) allows for zero, mid-scale, full-scale and factory default calibration of the gage.

ObUTN defines % of range that can be zeroed.

dISAb allows for disabling MENU options.

SETPW: This feature allows for a user defined numeric password. If a user password is not set, all features in the CONFIG mode will be accessible without a password. If a user password is programmed, it will be required to access the CONFIG menu options.

CONFIG MENU FUNCTIONS

How to Use the Menu Functions

To set a user password (SETPW):

Step 1: Press the MENU key.

Step 2: Press the ▲ (up arrow key) or ▼ (down arrow key) until the word CONFIG appears.

Step 3: Press ENTER. The word SETPW appears on the gage display.

Step 4: Press ENTER. A five digit numeric password is now required.

Step 5: Press the ▲ (up arrow key) or ▼ (down arrow key) on the keypad to select the first digit of the password.

Step 6: Press ENTER.

Step 7: Repeat until the five-digit password is shown on the gage display.

Step 8: Press ENTER.

Note: To erase a password at any time while in the SETPW (set password) mode, press the ZERO/CLEAR key. The user will be prompted to reprogram the password once the five-digit password is entered. The gage will display SAVE.

Step 9: Press ENTER to save the password setting.

ENTPW: Once a user password has been established and entry into the CONFIG mode is required, the user will be prompted to ENTPW (enter password).

Follow steps 4-8 above to enter the programmed password.

Note: If the password is lost or stolen, contact the technical department at Dwyer Instruments, Inc. to obtain a factory password that will allow the user to configure a new password.

To recalibrate the gage (RECAL):

Step 1: Press the MENU key on the keypad.

Step 2: Press the ▲ (up arrow key) or ▼ (down arrow key) on the keypad until the word CONFIG appears.

Step 3: Press ENTER.

Step 4: Enter user password if it has been programmed.

Step 5: Press the ▲ (up arrow key) or ▼ (down arrow key) until the word RECAL appears.

Step 6: Press ENTER.

Step 7: The gage will now flash between INPUT and unit of measure on the lower line and .00 on the top line. Apply zero pressure to the gage.

Step 8: Press ENTER. Zero pressure is now set.

Step 9: The gage will display the full-scale pressure. Apply the full-scale pressure to the gage.

Step 10: Press ENTER. Full-scale pressure is now set.

Step 11: The gage will now display the mid-scale pressure. Apply the mid-scale pressure to the gage.

Note: For compound ranges this will be full vac.

Step 12: Press ENTER. Mid-scale pressure is now set.

FOR FACTORY CALIBRATED SETTINGS:

Step 13: To reinstate factory calibrated settings for zero, full-scale, and mid-scale press the ▼ (down arrow key) until the word FACT appears.

Step 14: Press ENTER. Factory calibration settings are now reinstated.

Step 15: After zero, full-scale and/or mid-scale or factory default calibration have been set, the word SAVE appears on the gage display.

Step 16: Press ENTER to finalize calibration.

Note: Calibration of zero, mid-scale or full-scale can be set independently of each other. For instance, if only full-scale calibration is required, press ▼ (down arrow key) until the gage display indicates full-scale pressure. Press Enter and proceed as indicated above. Calibration of zero, mid-scale, and full-scale is recommended when recalibrating the gage.

ObUTN: This feature allows the user to select percent of full-scale at which the gage can be re-zeroed using the ZERO/CLEAR key on the keypad. The available options include 5% full-scale (default), 10% full-scale or DISAB (disable of the zero key).

To use the ObUTN option:

Step 1: Press the MENU key on the keypad.

Step 2: Press the ▲ (up arrow key) or ▼ (down arrow key) until the word CONFIG appears.

Step 3: Press ENTER.

Step 4: Enter user password, if it has been programmed.

Step 5: Press the ▲ (up arrow key) or ▼ (down arrow key) until the word ObUTN appears.

Step 6: Press ENTER.

Step 7: Press the ▲ (up arrow key) or ▼ (down arrow key) to select 5PCT (5% full-scale), dSAb (disable OnUTN), or 10PCT (10% full-scale).

Step 8: Press ENTER to finalize the selection.

dISAb: (or disable) This feature allows the user to dISAb (disable) or ENAb (enable) items in the MENU. Some keypad keys can also be enabled or disabled. Any or all MENU items can be enabled or disabled.

To use dISAb option:

Step 1: Press the MENU key on the keypad.

Step 2: Press the ▲ (up arrow key) or ▼ (down arrow key) until the word dISAb appears.

Step 3: Press ENTER. The current setting (ENAb or dISAb) will be displayed.

Step 4: Press the ▲ (up arrow key) or ▼ (down arrow key) on the keypad to select a setting.

Step 5: Press ENTER to finalize the selection.

GRAPH: This option allows the user to change the BAR graph on the gage display to correspond to any desired pressure within the pressure limits of the gage. This option is useful when identifying a select portion of the full-scale range of the gage. The default setting for the GRAPH is zero and full-scale pressure. For compound gages, the default setting for zero is set at full vacuum. The default full-scale pressure is set at the calibrated full-scale pressure displayed on the gage keypad.

The 4-20 mA output is set from the factory so that 4 mA equals 0% of the bar graph and 20 mA equals 100% of the bar graph. Changing the bar graph setting also rescales the 4-20 mA output which will track the 0 and 100% pressure values.

To use the GRAPH option:

Step 1: Press the MENU key on the keypad.

Step 2: Press the ▲ (up arrow key) or ▼ (down arrow key) until the word GRAPH appears.

Step 3: Press ENTER. The gage display will indicate the full-scale pressure range setting on the top line. The middle line indicates the bar graph at 100% of full-scale. The bottom line of the display will indicate SETFS to set the full-scale range for the bar graph and transmitter output.

Step 4: Press the ▲ (up arrow key) or ▼ (down arrow key) on the keypad to increase or decrease the full-scale value.

Step 5: Press ENTER to finalize the setting. The gage display will now display SET. After two seconds the screen will display the pressure value for 0% of the bar graph on the top line. The middle line indicates the bar graph at 100% of full-scale. The bottom line will display SET 0.

Step 6: Press the ▲ (up arrow key) or ▼ (down arrow key) on the keypad to increase or decrease the 0% pressure value.

Step 7: Press ENTER to finalize the setting. The new pressure values for 0 and 100% of the bar graph and 4 and 20 mA of the transmitter output have now been saved.

OFF: This option sets the amount of time before the gage will turn itself off. The available options include NEVER (default), 30MIN, 10MIN, 5MIN, and 2MIN.

To use the OFF option:

Step 1: Press the MENU key on the keypad.

Step 2: Press the ▲ (up arrow key) or ▼ (down arrow key) until the word OFF appears.

Step 3: Press ENTER.

Step 4: Press the ▲ (up arrow key) or ▼ (down arrow key) to select the desired OFF time.

Step 5: Press ENTER to finalize the OFF selection.

UPDATE: This option allows for changing the rate at which pressure is updated on the display screen. This feature is useful with rapid changes in the process pressure that may cause the display to flutter. The available options include display updates every 100MS (default), 1SEC, 500MS, and 200MS.

Note: Due to the variation in processes, the UPDATE rate should be specific to the application.

To use the UPDATE option:

Step 1: Press the MENU key on the keypad.

Step 2: Press the ▲ (up arrow key) or ▼ (down arrow key) until the word UPDATE appears.

Step 3: Press ENTER.

Step 4: Press the ▲ (up arrow key) or ▼ (down arrow key) to select the desired update rate.

Step 5: Press ENTER to finalize the selection.

DAMP: This is a damping option that allows process pressure readings to be averaged. This option is particularly useful to stabilize minor process pressure fluctuations. The available options include averaging NONE (default), AVG 8, AVG 6, AVG 4, or AVG 2 readings at a time.

To use the DAMP option:

Step 1: Press the MENU key on the keypad.

Step 2: Press the ▲ (up arrow key) or ▼ (down arrow key) until the word DAMP appears.

Step 3: Press ENTER.

Step 4: Press the ▲ (up arrow key) or ▼ (down arrow key) to select the desired dampening option.

Step 5: Press ENTER to finalize the selection.

Note: The following MENU item is only seen on gages with the switch options -C1S or -C2S.

SWSET: This menu item allows for setting of the switch set-points. The gage is offered with one (-C1S) or two (-C2S) SPDT switches. If one switch was ordered, the menu option is SW1. If two switches were ordered, the MENU options are SW1 and SW2.

To use the SWSET menu item:

Step 1: Press the MENU key on the keypad.

Step 2: Press the ▲ (up arrow key) or ▼ (down arrow key) to select the switch to be set, either SW1 or SW2.

Step 3: Press ENTER. The top line of the gage display will indicate the most recent switch set-point. The middle line of the display will indicate a bar graph that displays the set-point as a percentage of the gage's full-scale pressure range. The bottom line will display SETPT (blinking).

Notes: The default switch setting is 60% of the calibrated range. Set points are limited to the full-scale pressure range of the gage.

Step 4: Press the ▲ (up arrow key) or ▼ (down arrow key) to increase or decrease the set-points.

Step 5: Press ENTER to finalize the set-point selection. The gage will display SET. After two seconds, the top line will indicate RETRP pressure and the bottom line will read SET.

Step 6: Repeat steps 4 and 5 to set RETRP which is the reset point of the switch. If the gage is supplied with one switch, the screen will advance to the measurement mode. If two switches are supplied the display will advance to SW2.

Step 7: If the gage has two switches, repeat steps 4, 5, and 6 for SW2.

Notes: The bar graph will increase or decrease as any set-point pressure is adjusted. The bar graph indicates switch set-point position within the full-scale pressure range of the gage.

The switch set-point units correspond to the current engineering units set on the gage. If the selected engineering unit is changed after the switch set-points are set, the set-points will automatically be updated to correspond with the revised engineering unit.

The dead band for each switch is defined as difference between the SETPT (set-point) and the RETRP (reset point) pressures.

TROUBLESHOOTING

Display/Problem	Description	Action
OFSET (blinking)	ZERO/CLEAR button pushed when pressure displayed is beyond set re-zero pressure limit.	Only re-zero the gage within limits of the ObUTN feature.
MENU button disabled	Gage is in MAX/MIN mode.	Push MAX/MIN key to return to measurement mode.
Engineering unit selected in Menu displays N/A	Resolution at full-scale pressure exceeds 50,000 count.	Choose another engineering unit.
Desired password can't be set	00000 is not a valid password.	Select a different password
Main menu items can't be accessed	Items that can't be accessed have been disabled.	Enable item(s) in Menu under CONFIG/diSAb

MAINTENANCE

After final installation of the Dwyer Series DSGT Indicating Transmitter, no routine maintenance is required. A periodic check of system calibration is suggested. These devices are not field repairable and should be returned if repair is required (field repair should not be attempted and may void the warranty). Contact customer service to receive a Return Goods Authorization (RGA) number before shipping. Be sure to include a brief description of the problem plus any relevant application notes.