



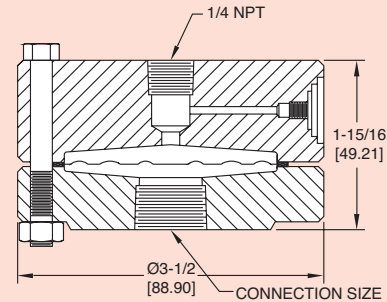
Series
XTBX

Diaphragm Seal for DA Series Pressure Switch

PVC and FEP Construction for Corrosive Applications



Seal shown mounted on
DA Series Pressure
Switch.



The Series XTBX is a diaphragm seal constructed of PVC and FEP making it perfect for corrosive applications that would damage metal wetted material pressure switches. The seal is available direct mounted on all model DA pressure switches with ranges under 100 psi (6.9 bar). Ideal for commercial pool/spa applications for pump shut down due to excessive vacuum.

MODEL NUMBER:

XTBX4_NPQ3*

Connection Size: B=1¹/₂" , A= 1¹/₄" , 1=1" , 2=1¹/₂" , 3=3³/₄" , 4=1¹/₄"

*Specify connection size in the underlined part of the model number. Example: XTBX42NPQ3

SPECIFICATIONS

Wetted Materials: PVC bottom bowl, FEP diaphragm.

Temperature Limit: 100°F (38°C).

Pressure Limits: 20" Hg (508 mm Hg) vacuum to 100 psig (6.9 bar).

Process Connection: Female NPT, available in 1/4", 1/2", 3/4", 1", 1-1/4", and 1-1/2".

OPTIONS:

Remote Mounted, Fluorolube® Oil Fill

Popular Models with DA Switch:

DA-7031-153-1-XTBX44NPQ3-2-0-0

Description: DA pressure switch with range 1/8 to 15 psi, direct mounted XTBX seal with 1/4" NPT connection, adjustable differential, SPDT snap switch rated 15A @ 120/240 VAC, general purpose enclosure.

DRW-7033-153U-2-XTBX42NPQ3-5-0-0

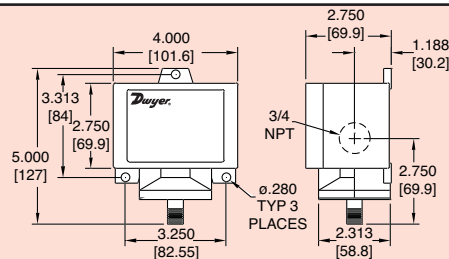
Description: DA pressure switch with range 0 to 20" Hg, direct mount XTBX seal with 1/2" NPT connection, Fluorolube® Oil Fill fill, manual reset switch - automatic operation on increase of vacuum, SPDT snap switch rated 15A @ 120/240 VAC, weatherproof (NEMA 4X) enclosure.



Series
ES

Electronic Pressure Switch

Adjustable Set Point, Status Light, NEMA-4 Enclosure



Series ES Electronic Pressure Switch is proven reliable, even in the toughest industrial applications. The switch uses a thin film pressure sensor that is rated for 10,000,000 cycles at the rated load, allowing the ES to outlast mechanical switches in high cycle applications. The switch is designed with narrow, adjustable deadbands that can be adjusted to less than 0.5% of range with multi-turn potentiometers. Features include status light for indication of process pressure, setpoint, reset and relay output status. Optional 3-1/2 digit LED provides local indication of process pressure. The electronics are housed in a watertight epoxy coated aluminum enclosure for additional corrosion resistance. The Series ES is ideal for pressure alarms, shutdown and control on metal stamping, presses, injection molding machines and other process equipment.

MODELS

Model Number	Setpoint	Max. Pressure	LED
	Range psi (bar)	psi (bar)	
ES04021	3-60 (.21-4.1)	120 (8.3)	No
ES04022	5-100 (.34-6.9)	200 (13.8)	No
ES04024	15-300 (1.0-20.7)	600 (41.4)	No
ES04029	150-3000 (10.3-206)	4500 (310)	No
ES14021	3-60 (.21-4.1)	120 (8.3)	Yes
ES14022	5-100 (.34-6.9)	200 (13.8)	Yes
ES14024	15-300 (1.0-20.7)	600 (41.4)	Yes
ES14029	150-3000 (10.3-206)	4500 (310)	Yes

SPECIFICATIONS

Service: Compatible liquids or gases.

Power Supply: 110 VAC; 50/60 Hz.

Repeatability: ±0.5% of nominal range.

Temperature Limits: -20 to 160°F (-28.9 to 71.1°C).

Process Connection: 1/4" male NPT.

Electrical Connections: 3/4" male NPT.

Switch Type: SPDT relay.

Electrical Ratings: 10 amps (resistive) @ 250 VAC; 10 amp (resistive) @ 30 VDC.

Setpoint: Adjustable via internal multi-turn potentiometers.

Deadband Adjustment: Between 0.1% and 95% of nominal range.

Cycle: Ten million @ rated load.

Sensor Element: Thin film pressure sensor.

Display: (on ES1 models only) 3-1/2 digit LED.

Resolution: ±1%.

Wetted Parts: Diaphragm: 17-4 PH stainless steel; Pressure connection: AISI/316 SS.

Housing: NEMA 4 (IP66) watertight epoxy coated aluminum enclosure.

Weight: 1lb, 9 oz (709 g).

Agency Approvals: CE, UL, CSA.