



Flex-Tube® Well-Type Manometers

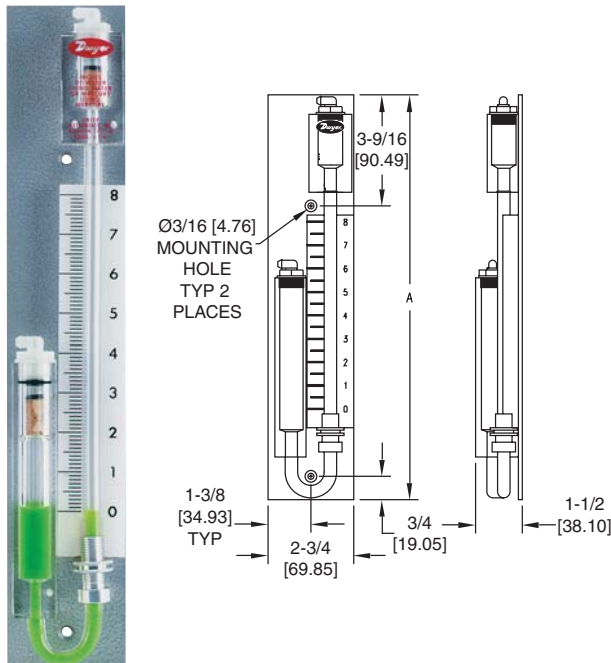


Fig. 9-1. No. 1230-8 wall mounting well-type manometer.

Dwyer Flex-Tube® Well Type Manometers are designed to meet the need for a direct reading single column instrument providing highly accurate pressure readings; positive, negative or differential. Unlike other makes, Dwyer manometers have no hidden wells or packing glands. These instruments are constructed of shatterproof clear plastic tubing permanently bonded to well assemblies with leakproof glued joints. Well assemblies are precisely machined from solid acrylic plastic. Overpressure safety traps assure protection against loss of fluid. Heavy pure white acrylic plastic scales have sharp black silk screened figures and graduations sealed with clear mylar coating. Scales are adjusted with quick-acting positive mechanism. Heavy heat treated aluminum back plates have durable gray hammerloid finish. These manometers are rated to 100 psig (6.89 bar). Not recommended for vacuum service beyond 5 in. Hg (68 in w.c.).

Series No.1230 Manometers (wall mounting type), Fig.9-1, have mounting holes for easy installation. They may also be used as portable manometers and can be hung or attached to any vertical steel surface by magnetic mounting clips. All parts are fully visible and readily accessible for cleaning.

Series No. 1235 Manometers (panel mounting type), Fig. 9-2. All pressure connections are made from the back, with the micrometer zero scale adjustment in front at the base of the liquid column.

Multi-Tube Manometer, Fig. 9-3, of the same design as the No. 1235 series are available with any number of tubes mounted on a single panel. They are designed for semi-flush panel mounting with all pressure connections made from the back. Reading columns are on 1 1/2" centers.

Special Scales. Psi and metric scales, available in aluminum panel. Higher ranges and other special scales in Benelex panel.

Standard Accessories include one set of type "a" connections, .826 sp. gr. red gage oil for "D" style or fluorescein green dye concentrate with wetting agent for "W/M" styles, two 3 ft. lengths of clear vinyl tubing and two 1/8" NPT tubing adapters.

To Order, please indicate scale desired. Specify "W/M" with Model Number for inches of water, using water or inches of mercury, using mercury; and "D" for inches of water using .826 sp. gr. red gage oil. Red gage oil is often preferred for readings in inches of water because of the longer scale and slower evaporation rate. This lessens the need for frequent re-zeroing and refilling. If not otherwise indicated, "W/M" style manometers will be shipped.



Fig. 9-2. No. 1235-8 panel mounting well-type manometer, side and front view to show rear connections.

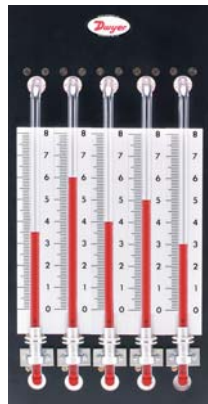


Fig 9-3. Series 1235 manometers are also available with multiple tubes mounted on a common panel.

NO. 1230 SERIES WALL MOUNTING

NO. 1235 SERIES PANEL MOUNTING

MODELS						
Model No.	Scale in Inches of Water or Mercury	DIMENSIONS				Mercury Req'd to Fill (Wt.)
		A	B		C	
			W/M	D		
1230-8	0- 8	2 1/4"	15 5/16"	16 1/4"	1 1/2"	12 oz.
1230-12	0-12	2 1/4"	19 1/8"	21 1/8"	1 1/2"	14 oz.
1230-16	0-16	2 1/4"	23 3/8"	27"	1 1/2"	16 oz.
1230-20	0-20	2 1/4"	27 1/2"	32 1/2"	1 1/2"	18 oz.
1230-24	0-24	2 1/4"	32 1/4"	37 1/4"	1 1/2"	20 oz.
1230-36	0-36	2 1/4"	43 1/4"	51 1/4"	1 1/2"	26 oz.

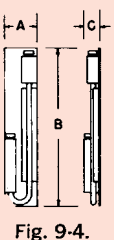


Fig. 9-4.

MODELS						
Model No.	Scale in Inches of Water or Mercury	DIMENSIONS				Mercury Req'd to Fill (Wt.)
		A	B		C	
			W/M	D		
1235-8	0- 8	2 1/4"	17 3/8"	18 1/8"	2 1/2"	12 oz.
1235-20	0-20	2 1/4"	29 1/8"	33 1/8"	2 1/2"	18 oz.
1235-36	0-36	2 1/4"	45 1/8"	51 1/8"	2 1/2"	26 oz.

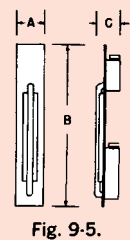


Fig. 9-5.

Model No.	Model No.
1230-8-W/M.....	1230-20-W/M.....
1230-12-W/M.....	1230-24-W/M.....
1230-16-W/M.....	1230-36-W/M.....

Model No.
1235-8-W/M.....
1235-20-W/M.....
1235-36-W/M.....

Note: Water/Mercury models for 0.826 S.P. Gage Oil models change -W/M to a "-D".