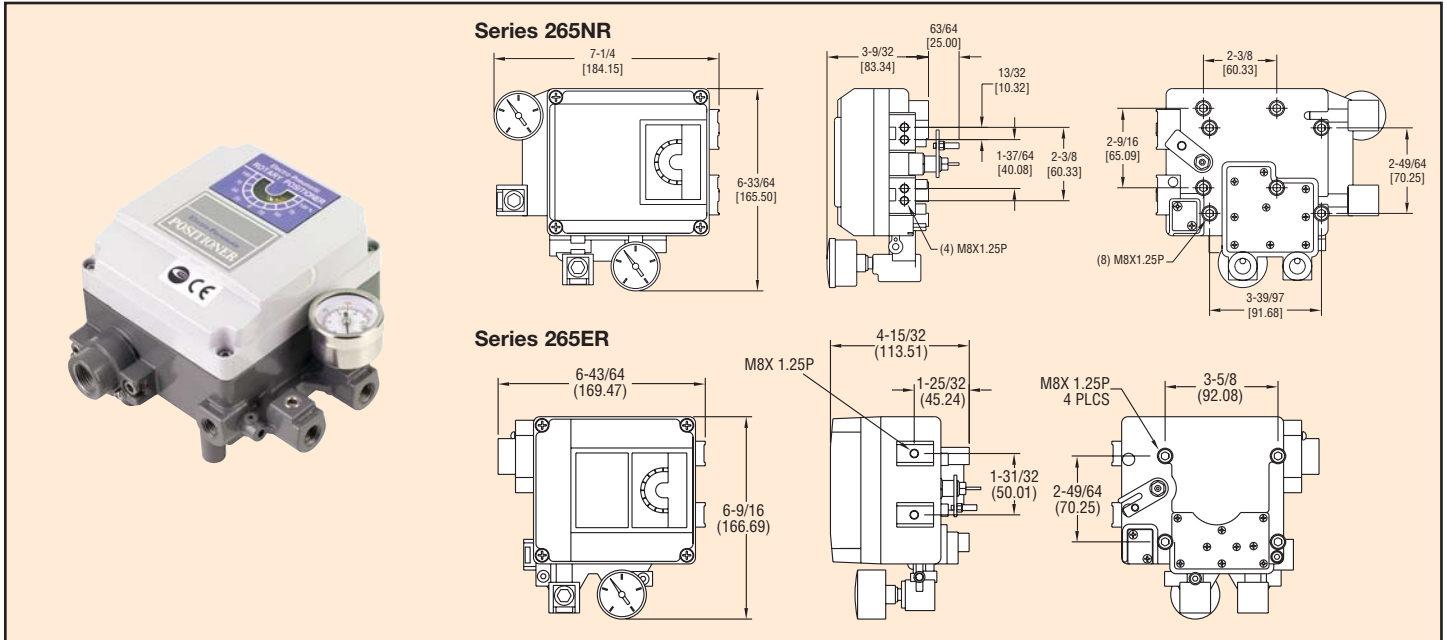




Series  
265

# PRECISOR® II Pneumatic and Electro-Pneumatic Positioners

Low Cost, Rotary Operation, Field Selectable Cam Design



**W.E. Anderson Series 265 PRECISOR® II Pneumatic and Electro-Pneumatic Positioners** combine outstanding performance with an extremely low price, making it an exceptional value for industrial applications. Rotary valves with single or double acting pneumatic actuators can be precisely controlled, such as our ball and butterfly valves. The PRECISOR® II proportionally modulates the valve from either an electric 4-20 mA or pneumatic 3-15 psig input signal, based on the model chosen. Its rugged, durable design makes it ideal for use in harsh environments, while maintaining precise, accurate positioning of the control elements. Includes a bracket for mounting onto actuators with NAMUR standard connections, and features a versatile linear cam for direct action, reverse action, or split ranges. An excellent choice when used in the chemical processing, food and beverage, pulp and paper, and pharmaceutical industries. Consult factory for other lever types.

## MODELS

Model No.	Input	Lever Type	Action
265ER-S5	4-20 mA	NAMUR	Single
265ER-D5	4-20 mA	NAMUR	Double
265NR-S5	3-15 psig	NAMUR	Single
265NR-D5	3-15 psig	NAMUR	Double

## SPECIFICATIONS

**Input Signal:** Pneumatic: 3 to 15 psig (0.2 to 1 bar).

Electro-Pneumatic: 4-20 mA DC.

**Input Impedance:** (265ER only): 250 ± 15 Ohm.

**Material:** Aluminum diecasting.

**Air Supply:** 20 to 100 psig (1.4 to 6.9 bar).

**Air Supply Connection:** 1/4" NPT.

**Gage Connection:** 1/8" NPT.

**Electrical Connection:** Screw terminal.

**Conduit Connection:** 1/2" NPT (265ER only).

**Linearity:** ±2% of full scale.

**Hysteresis:** 1% of full scale.

**Sensitivity:** ±0.5% of full scale.

**Repeatability:** ±0.5% of full scale.

**Air Consumption:** 0.10 scfm (3 LPM) at 20 psig (1.4 bar) supply.

**Flow Capacity:** 28 scfm (80 LPM) at 20 psig (1.4 bar) supply.

**Stroke:** 0 to 90°.

**Enclosure Rating:** IP66.

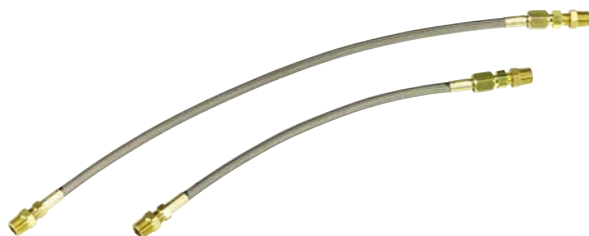
**Operating Temperature:** -4 to 160°F (-20 to 70°C).

**Weight:** 265NR: 3.1 lb (1.7 kg).

265ER: 6.2 lb (2.8 kg).

**Agency Approvals:** CE (265ER only).

Valves



## Pneumatic Hosing and Fittings

Hosing and fittings for connecting positioners, current to pressure transducers, air filter gauges and other accessories to pneumatic actuated valves.

## MODELS

MODEL NO.	DESCRIPTION
A-228	Stainless steel flex hose, 12" (30.48 cm) long, 1/8" male NPT connections
A-229	Stainless steel flex hose, 18" (45.72 cm) long, 1/8" male NPT connections
A-332	Brass adapter, 1/8" female NPT to 1/4" male NPT