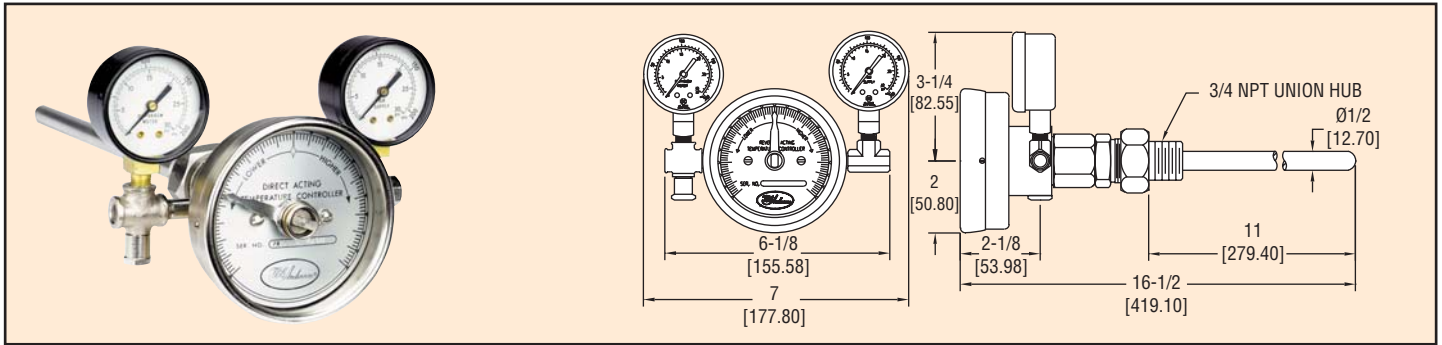




Series
7R

Temperature Controller

Low Cost, Choose Direct or Reverse Acting



Low Cost Series 7R Temperature Controller provides excellent process control when combined with the Hi-Flow™ Pneumatic Control Valve. This rugged unit utilizes time-proven bi-metal technology and can be installed in any position for application flexibility. The tamper resistant knob assures reliable, continuous operation. Precision gages provide accurate indication of supply pressure as it passes into the controller and outlet pressure into the pneumatic actuator.

Caution: Use of a supply gas other than air can create a hazardous environment because a small amount of gas is continuously vented to atmosphere.

SPECIFICATIONS

- Supply Pressure:** 20 psig (1.37 bar).
- Temperature Range:** 32 to 250°F (0 to 121°C).
- Output:** 3 to 15 psi (0.21 to 1.03 bar)
- Wetted Materials:** 304 SS.
- Process Connection:** 3/4" male NPT union hub.
- Air Connections:** 1/8" female NPT.
- Weight:** 4.125 lb (1.87 kg)
- Temperature Setpoint Scale:** Arbitrary linear.
- Standard Features:** Pneumatic input and output gages.

MODELS

MODEL NO.	ACTION
7RD314	Direct
7RR314	Reverse

Suggested Specification

Temperature controller shall be installed for (direct)(reverse) acting service. Unit shall have adjustable tamper resistant knob. The outer stem shall be type 304 SS welded construction, 12 inches (30.5 cm) long. The inner rod shall be constructed of invar nickel steel. Process connection shall be 3/4" NPT. Controller shall be W.E. Anderson Model No. 7R(D)(R)314.

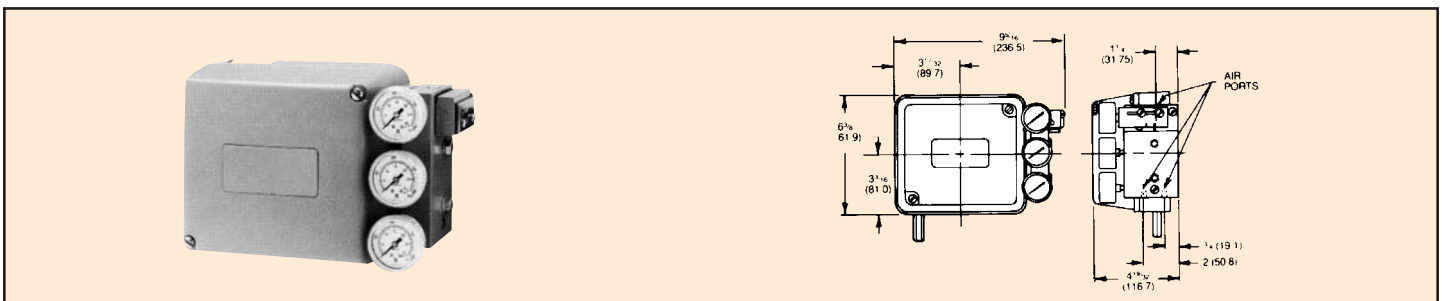
Valves



Series
100NF

PRECISOR® Pneumatic Positioners

Fast Response for Stable Process Control



W.E. Anderson PRECISOR® Pneumatic Positioners are fast-responding, precision-calibrated, force-balance instruments providing accurate valve positioning – the ultimate in stable process control.

MODELS

Model No	Action	Span, psi (kg/cm ²)
100NF11-	Direct	6 (.42)
100NF21-	Direct	8 (.56)
100NF31-	Direct	12 (.84)
100NF41-	Direct	16 (1.12)

SPECIFICATIONS

- Air Supply Connection:** 1/4" NPT.
- Air Supply:** 20 psi (1.41 kg/cm²) recommended.
- Maximum:** 50 psi (3.5 kg/cm²).
- Minimum:** 10 psi (.70 kg/cm²).
- Consumption:** .45 scfm (.21 l/s).
- Relay Capacity:** 1.0 scfm (.47 l/s).
- Repeatability:** 0.1% of 12 psi (.84 kg/cm²) span.
- Linearity:** 1.6% of span.
- Hysteresis:** 0.3% of 12 psi (.84 kg/cm²) span.
- Sensitivity:** 0.1% of 12 psi (.84 kg/cm²) span.